

ASAP FASTENING SYSTEMS, INC.

SUPPLIES FOR INDUSTRY AND CONSTRUCTION

2013 SOUTH 37TH STREET • MILWAUKEE, WISCONSIN 53215

(414) 344-4500 • FAX (414) 344-4504

WWW.ASAPFASTENING.COM • EMAIL: SALES@ASAPFASTENING.COM



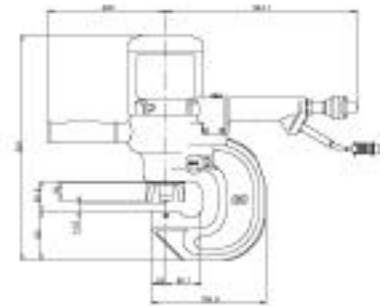
MODEL

HA06-1322

Specifications

Model	HA06-1322		
Max. Throat Depth	inch (mm)	2-3/8" (60)	
Punching Capacity (for Max Steel)	Max. Punching Diameter	inch (mm)	7/8" (22)
	Max. Punching Thickness	inch (mm)	1/2" (13)
Hole Making Time	sec	Punching Time 10.5	
Allowable Max. pressure	psi (kg/cm ²)	10,000 psi (700)	
Max. Output	bf (ft)	68,355 (34)	
Ram Stroke	inch (mm)	53/64" (21)	
Mass (Weight)	lbs (kg)	47 (21.5)	

HA06-1322



Standard Accessories for HA06-1322

- Hose cord assembly
- 22 mm "C" series punch & die
- Sub-handle assembly
- Spanner wrench
- 4 mm Allen wrench
- Tool box