

# ASAP FASTENING SYSTEMS, INC.

SUPPLIES FOR INDUSTRY AND CONSTRUCTION

2013 SOUTH 37TH STREET • MILWAUKEE, WISCONSIN 53215

(414) 344-4500 • FAX (414) 344-4504

WWW.ASAPFASTENING.COM • EMAIL: SALES@ASAPFASTENING.COM

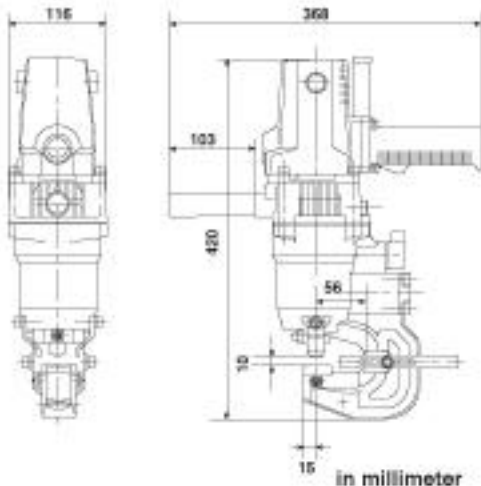
## E55-0619



*Built-in hydraulic pump shows its power in making round or elongated holes in flat bar, stainless steel or angle! Small, light weight, outstanding workability!!*

### Specifications

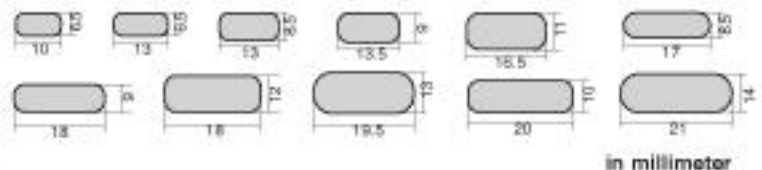
Model	E55-0619
Power Source	115V AC
Power Consumption	670 watts
Rated Current	7A
Hole Cutting Capacity	3/4"
Maximum Punching Thickness	1/4"
Maximum Depth	2-3/16"
Punching Time	2 sec.
Weight	31 lbs.
Cord	7.9 ft.
Standard Accessories	EL Punch 18, El Die 18A EL Die 18B, spanner 10 & 12 3mm, 4mm, & 5mm allen wrench



### Option Series – Part #TB00799-0



### Various Elongated Holes



in millimeter